



CardBus Analysis Probe and extender card FS2004

Quick Start Instructions

State Analysis

- Step 1.** For the Master CLK, connect pins 1 and 2 of JP1.
Step 2. Install the PC Card Cardbus add-in card into the extender card connector.
Step 3. After removing the probe tip assemblies from your logic analyzer cables, plug the logic analyzer cables into the 40 pin cable headers on the FS2004 module. The table below gives the correspondence between the FS2004 cable headers and the logic analyzer cables.

<u>Logic Analyzer</u>	<u>FS2004</u>	<u>Comment</u>
POD 1	Header 1	
POD 2	Header 2	
POD 3	Header 3	L Clock
POD 4	Header 4	

- Step 4.** Install the FS2004 module into a slot in the target CardBus system.
Step 5. If you **don't** have a 16600/700 or 1680/90 main frame, go to **Step 6**

Update Procedure : Please note: Once done, this update procedure never needs to be repeated unless a new IA revision is issued.

16600/16700.

Insert the 16600/16700 Analysis Probe Install Disk for the FS2004 into the 16600/16700 diskette drive. From the SYSTEM ADMINISTRATION TOOLS select *INSTALL* under *SOFTWARE*. From the SOFTWARE INSTALL screen select the *FLEXIBLE DISK* and *APPLY*. Once the title appears select it and then select *INSTALL*. After the software install is complete the configuration files can be loaded from /logic/configs/FuturePlus/FS2004 directory.

1680/90/900

Insert the FS1110 CD-ROM containing the 1680/90/900 Logic Analyzer software into the PC or analyzer. Execute .exe file to run the setup program. After the software has been installed and licensed you may load a configuration file by double clicking the folder placed on the desktop during installation and then choose the appropriate configuration file in that folder.

- Step 6.** Load the logic analyzer with the appropriate file (*see table below*) from the Analysis Probe software diskette. **You're ready to GO!**

<u>Logic Analyzer</u>	<u>State Analysis</u>	<u>Timing Analysis</u>
166x	CBUS_660	CBUS_660
16555,167x	CBUS_555	CBUS_555
16550	CBUS_550	CBUS_550
1650, 16510	CBUS_510S	CBUS_510T

Cards Installed in 16700 Frame or 1680/90

16550	CP204_1	CP204_1
16555	CP204_2	CP204_2
16717/8/9, 1675x	CP204_3	CP204_3
1680/90/900	CP204_4	CP204_4

You're ready to GO!

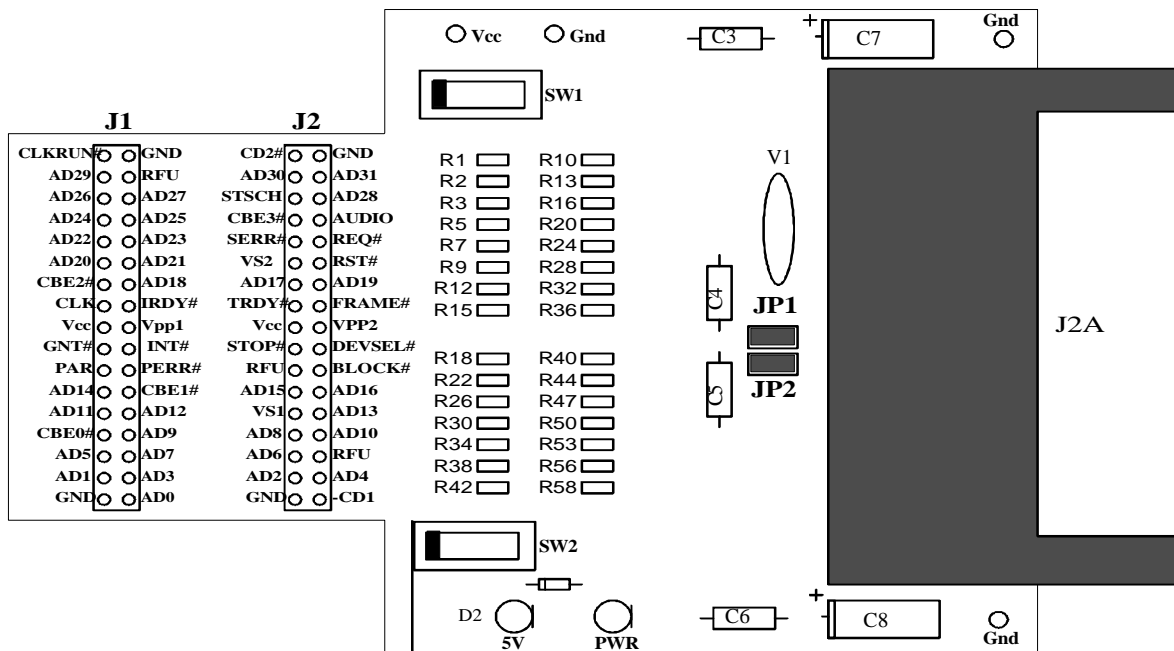
Timing Analysis

166x, 16550, 167xx and 1680/90/900 users follow the above steps and **then** change the type field in the logic analyzer configuration menu from STATE to TIMING. **You're ready to GO!**

16510 and 165x users connect pins 2 and 3 of JP1, follow steps 2 through 5 and **then** change the type field in the logic analyzer configuration menu from STATE to TIMING. **You're ready to GO!**

FS2004 Test Points

To access the test points remove the logic analyzer interface module



Warning! When installed in a powered PC Card CardBus system the test point power pins are live.

For more detailed information refer to the FS2004 Users Manual

Tech Support

FuturePlus Systems Corporation
36 Olde English Road
Bedford, NH 03110 USA
TEL:603-471-2734
FAX:603-471-2738

Sales

FuturePlus Systems Corporation
TEL:719-278-3540
FAX:719-278-9586
Web: www.futureplus.com